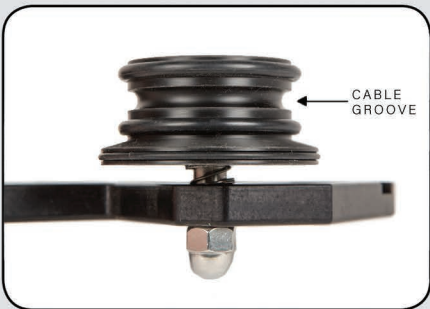


SHUTTLE POD REFERENCE GUIDE

The Kessler Shuttle Pod[™] is a unique camera dolly system that can utilize your existing standard Kessler Crane (11.5" width) as the rail / track system for the dolly. You can also use our proprietary expandable rail system if you do not have a Kessler Crane. The Shuttle Pod[™] has multiple optional camera mounting options available, using the Cheese Plate and 100mm Bowl Mount inserts. The Shuttle Pod[™] is completely smooth and silent and can even be removed and used as a table top dolly, by rolling on a smooth surface.



CARRIAGE ASSEMBLY

1. Locate the top plate, wheel assemblies (x2), and the 3/4" long thumb screws (x4).
2. Insert the thumb screws loosely into top plate.
3. Slide the wheel assemblies into place and tighten the 4 thumb screws completely.
4. The carriage is now assembled.
5. The cable groove in the wheels, allows for the Shuttle Pod carriage to be used underslung on a cable system.



TRACK ASSEMBLY

1. Locate 2 four foot sections of track, one (1) aluminum joiner insert, and two (2) 3/4" long large Kessler knobs
2. Insert the aluminum joiner into one section of track and loosely insert a knob.
3. Insert the other track section over the other side of the joiner and install second knob.
4. Tighten both knobs to complete track joint.

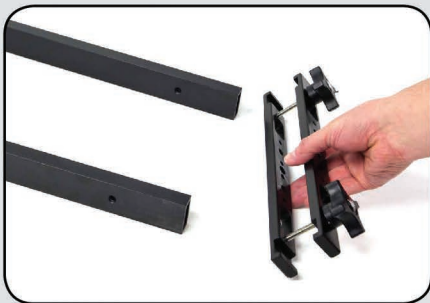


INSTALLING CROSS BRACE

The optional cross base can be used at track joints for supporting the center of the track assembly on a tripod or other surface.

1. Loosen the 3/4" large knobs at track joint but do not remove.
2. Insert the cross brace between the loosened knob and inside edge of track
3. Re-tighten the two knobs.
4. Repeat on opposite track to complete assembly.

NOTE: Track must be supported at least every 12 feet. Do not support the track at center only. Always use at least two points of support.



INSTALLING END CLAMPS

The optional end clamps can be used for mounting the track to tripods or other surfaces. They feature 1/4-20 and 3/8 thread mounting points.

1. Loosen but do not remove the 2 1/2" large knobs on the end clamp.
2. Slide the end clamp over the ends of the Shuttle Pod tracks.
3. Re-tighten the two knobs.

NOTE: If you will be using the motion control kit with the end clamps, we recommend leaving about 2 inches of the track extending past the end clamp for mounting the drive belt later on.

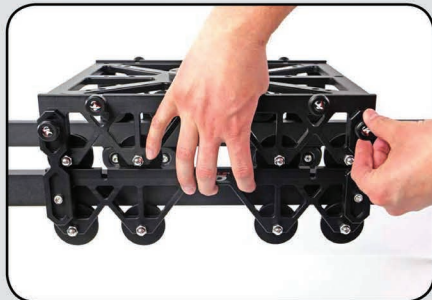


OUTRIGGER FEET

The optional Shuttle Pod Outrigger Feet Kit is an adjustable foot support system that can be attached to the Shuttle Pod rail for easy setup in a variety of locations.

1. Loosen and extend the outrigger feet.
2. Tighten the feet so they remain extended.
3. Loosen but do not remove the 2 1/2" large knobs on the top clamp of the outrigger feet.
4. Slide the Shuttle Pod track into the clamp on top of the outrigger feet.
5. Re-tighten the two knobs.
6. Adjust angle of outrigger feet so assembly sits level.

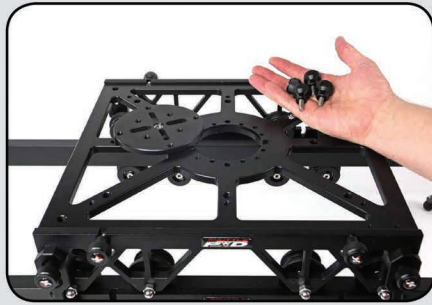
NOTE: If you will be using the motion control kit with the outrigger feet, we recommend leaving about 2 inches of the track extending past the end clamp for mounting the drive belt later on.



MOUNTING THE KEEPER/GRABBER

The optional keeper/grabber wheel kit is used to hold your Shuttle Pod to the rails, when using it in an inclined or inverted configuration.

- 1.** Locate the 3/4" long thumb screws and small, aluminum backer plates (see figure to left).
- 2.** Attach the wheel skirt clamp brackets to the side of the Shuttle Pod using two (2) thumb screws and (2) aluminum backers per skirt. Do not tighten entirely.
- 3.** With the top thumb screws slightly loose, grab the top and bottom wheel skirts and pull them together with your fingers as you tighten down the thumb screws.
- 4.** Repeat on other side.
- 5.** Check the carriage and make sure it travels smoothly on the track. Adjust tension between upper and lower wheel skirt as necessary.



MOUNTING THE TRIPOD BOWL

The optional 100mm bowl mount allows for mounting a 100mm ball fluid head to the Shuttle Pod. You may also mount a 75mm ball fluid head by using the optional 100mm - 75mm bowl Adapter ring.

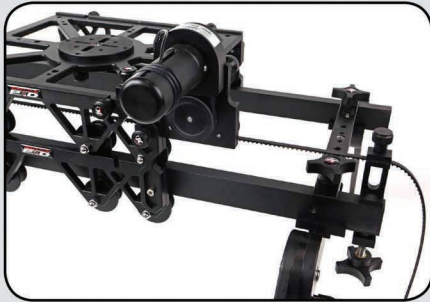
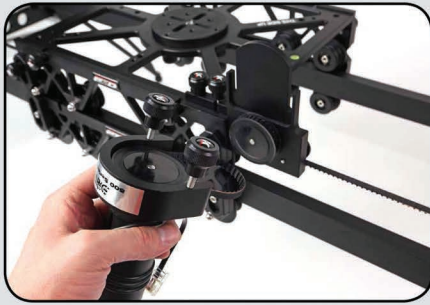
- 1.** Remove the four (4) 3/4" long thumb screws holding the camera cheese-plate in place.
- 2.** Insert the 100mm bowl mount and replace the thumb screws from below.
- 3.** Securely tighten the thumbscrews and install your 100mm bowl fluid head just as you would on a standard tripod.



MOUNTING THE DRIVE BELT

The optional drive belt kit allows the Shuttle Pod to utilize the ElektraDRIVE motor for motorized motion control.

1. Locate the drive belt, two end clamps, mounting plate/belt pulley, and two (2) 3/4" fine thread thumb screws.
2. Insert the belt into the mounting plate/belt pulley.
3. Using the 3/4" fine thread thumb screws, attach the mounting plate/belt pulley to the corresponding holes on top of the Shuttle Pod Carriage. Keep the belt to the inside of the Shuttle Pod track.
4. Install a clamp at one end of the Shuttle Pod track. The tightening knob should be on the bottom and the clamp should be on the inside of the track.
5. Loosen the belt gripper on top of the clamp. Insert the drive belt and tighten.
6. Repeat the process on the opposite end of the track. Pull the belt tight before tightening the belt gripper.
7. Once the belt is installed, you can loosen one of the clamps on the track and slide it as necessary to adjust belt tension.



MOUNTING THE ELEKTRADRIVE

The ElektraDRIVE motor is attached to the mounting plate / belt pulley. The motor is powered via one of the Kessler Control units such as the ORACLE.

1. Locate two (2) 1/2" fine thread thumb screws.
2. Loosely insert the screws into the ElektraDRIVE motor
3. Slide the motor into the mounting plate.
4. Pull the motor belt over the mounting plate's pulley and then left the motor up to create tension on belt.
5. Tighten the two (2) thumbs screws to secure the motor in place.



USING THE PEDESTAL FEET

The Shuttle Pod carriage top plate can be mounted to the optional pedestal feet. They can be used to set the top plate on the ground when converting the Shuttle Pod to a winch system or using as a low mount shooting platform.

1. Loosen but do not remove the thumb screws securing the Shuttle Pod Wheel skirts.
2. Remove the wheel skirts and install the Pedestal Feet in their place.
3. The top plate can now be used as a ground level mounting platform.